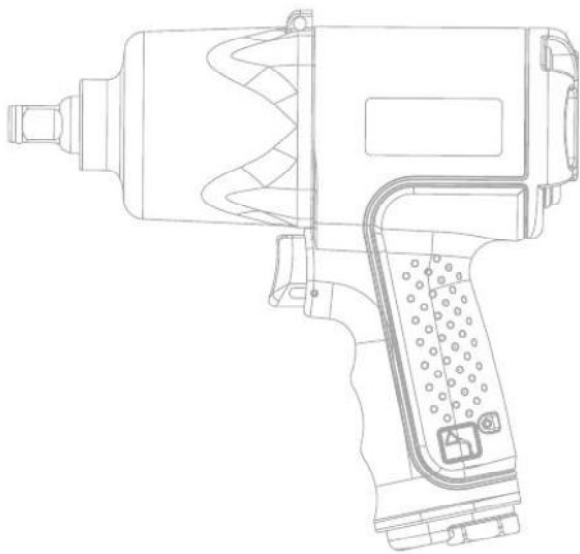


➤ Industrial Impact Wrench



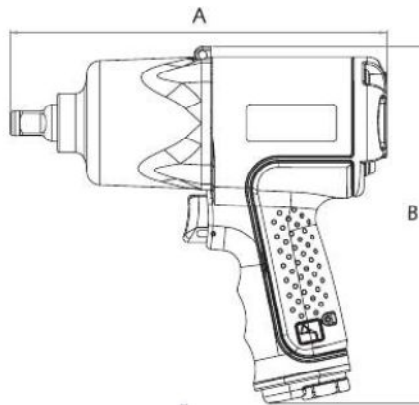
Impact

The impact wrench designed with unique oil bathed mechanism provides better durability. Reliable quality for Industrial use!



Impact | Composite

-Air Industrial Impact Wrench-



Model	A(mm)	B(mm)
TDW-243V(-4)	173	180
TDW-305V	198	200
TDW-278V	244	225



TDW-278V



TDW-305V



TDW-243V
TDW-243V-4

Model	SQ Drive	Bolt Size	Working Torque			Max Torque			Net Weight	Free Speed	Average Air Consumption		Noise Level	Vibration Value
	(in)	(mm)	Nm	Ft-lbs	Kgm	Nm	Ft-lbs	Kgm	Kg (lbs)	rpm	m ³ /min	ft ³ /min	dB(A)	m/s ²
TDW-243V	3/8"	M12	78-275	57-203	8-28	380	280	39	1.3(2.8)	9,500	0.54	19.07	89	3.4
TDW-243V-4	1/2"	M14	98-294	73-217	10-30	407	300	41	1.3(2.8)	9,500	0.54	19.07	89	3.4
TDW-305V	1/2"	M16	294-490	217-361	30-50	949	700	97	2.1(4.6)	7,000	0.61	21.54	90	3.4
TDW-278V	3/4"	M22	441-883	325-651	45-90	1898	1400	193	3.8(8.3)	4,000	0.7	24.72	90	3.5

Recommended Air Pressure : 90 PSI (6.3 kg/cm²)

Air Hose Size : 16mm×11mm×5m

Highlights

Industrial Composite Impact Wrench

